

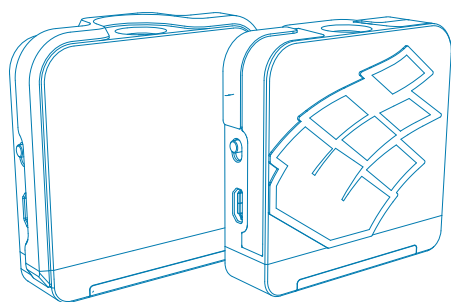


Lighting Navigator

Spectrometer exclusive for LED



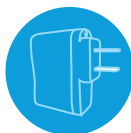
V1 AGH18



Lighting Navigator Quick Guide



USB Cable



Adaptor



Stand



Pocket Bag



Specification

- * Operating Temperature/Humidity : 0 ~ 35 °C, relative humidity under 80% with no condensation.
- * Storage Temperature/ Humidity Range : -10 ~ 45 °C, relative humidity of 85% or less (@ 35 °C) with no condensation.

Size	Width : 63.1 mm Depth : 17.5 mm Height : 63.1 mm
Net Weight	92 g ± 1 g (Include the stand)
Wavelength Range	380 ~ 780 nm
Illuminance Range	Measurable 5 ~ 50,000 lux
Optical Resolution (FWHM)	10 nm
Accuracy (@ 1,000 lux Standard Light Source)	Illuminance : ± 5 % CCT : ± 3.5 %
Integration Time	6 ms ~ 16 s
Measurement Mode	Filter, Measurement, Comparison
Measurement Capability	CCT Illuminance CRI (Ra) Spectrum
Additional function	Photograph, Note, Auto connection, Standard Evaluation, GPS, Social Media Integration

* ASENETEK reserves the right to modify the specification of its products without prior notice.

Warranty Registration

To protect your rights and interests as a product owner, we ask that you please complete the online registration process for your AsenseTek product within ten (10) business days of product delivery.

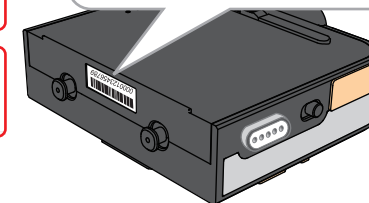
Registration Link

<http://www.asenseTek.com/product-registration/>



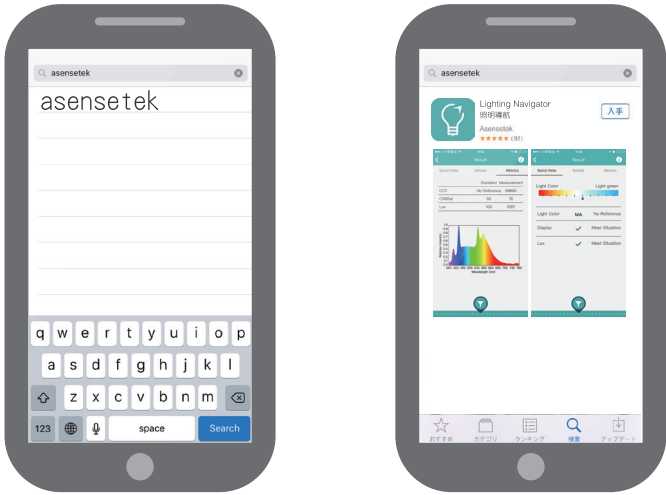
Serial number are total of 13 yards.

0000123456789



Please click the link above to register, and enter the serial number of your Lighting Navigator; meanwhile, please provide the warranty card or the photo of invoice where show purchase date.

1 Download APP - Lighting Navigator

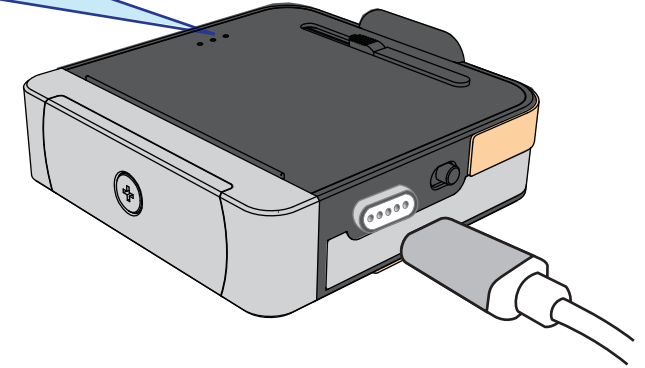


First, you should go to 「Apple Store」 or 「Google Play」, then search 『asensestek』, and download and install 『Lighting Navigator』.

2 Charging

- **Blue LED**
On : Power on
Flash : Data transmission
- **Green LED**
On : Connect with external power source
- **Red LED**
On : Charging
Off : Full power

Warning
Please do not remove the Magnetic USB cable by yourself.



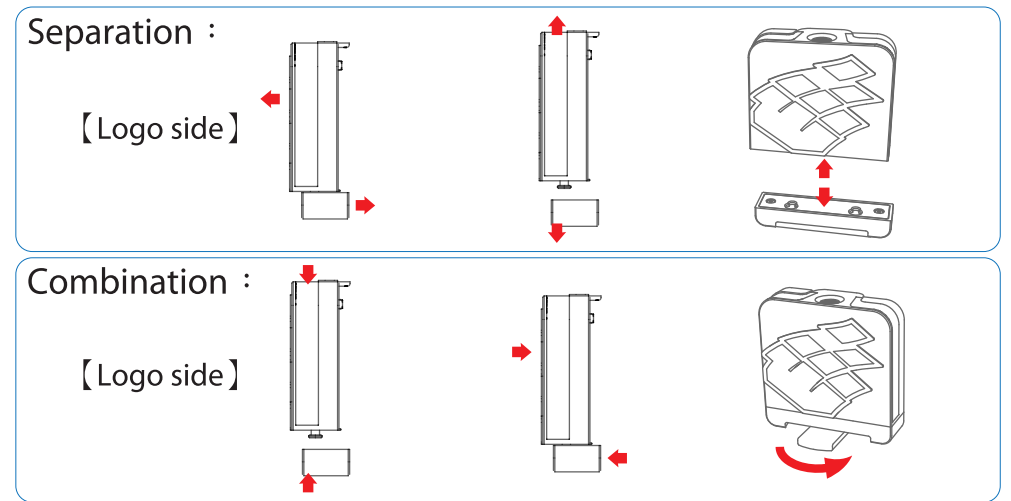
- * If the battery is completely depleted, please turn off Lighting Passport to charge for more than 20 minutes, then turn on Lighting Passport.
- * Please use the original adaptor to charge Lighting Passport.

Before you use Lighting Navigator the first time, please charge until the RED LED off, and please make sure the LED indicator of the Magnetic USB cable on the same side as the Asensestek LOGO.

2 APP Introduction

- 1 Setting
- 2 Connection
- 3 Comparison
- 4 Start to measure
- 5 Record

Flexible Stand



If you want to see the serial number under the device, please follow the steps of the graphic expression to combine and separate the stand.